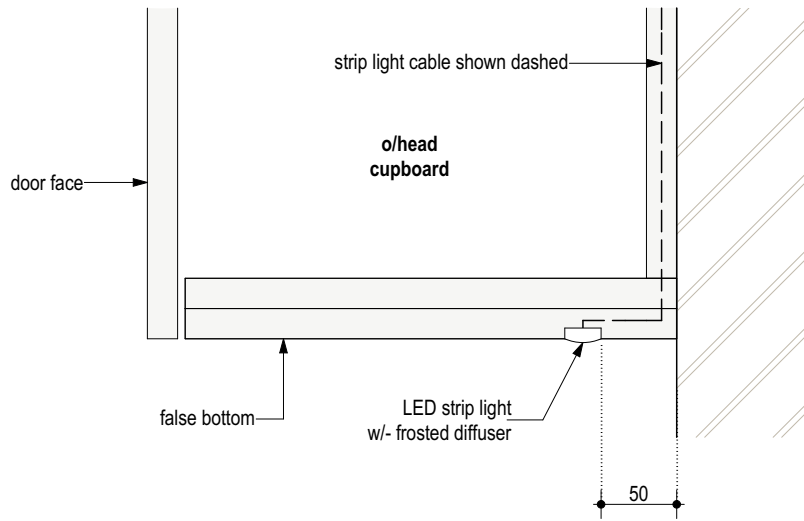
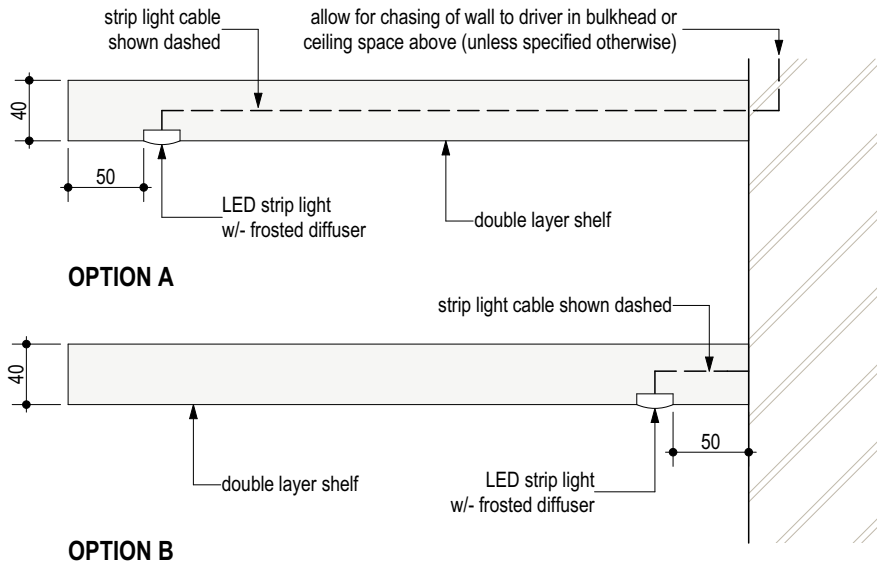


NOTE: Strip lights to be installed by Cabinetmaker for Electrician to connect



STRIP LIGHTING IN O/HEAD CUPB'D

scale 1:5



STRIP LIGHTING IN O/HEAD SHELF

scale 1:5

© Copyright Domination Homes.
Reproduction of this plan is illegal
without the written permission of
DOMINATION HOMES.

Suite 1/43 Westchester Rd
MALAGA WA 6090
Ph: 92627400 Fax: 92484466

LED STRIP LIGHTING DETAILS (pg.02)

Drawn: J.Romeo	Date: 20-Nov-17
Scale: As noted	Sheet 01 of 01

Size:
A4

